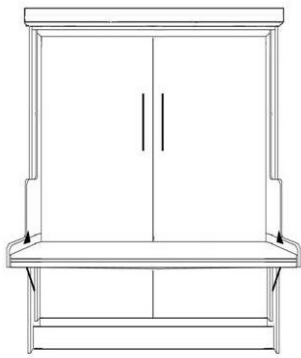


# OFFICE BED / DESK BED VERTICAL INSTALLATION GUIDE



## ITEMS NEEDED TO ASSEMBLE YOUR BED



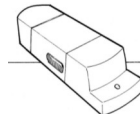
4 MM AND 10MM ALLEN WRENCH



PHILLIPS SCREWDRIVER



DRILL



STUD FINDER



6' LADDER

## HARDWARE INCLUDED (not to scale)



(4) LOWER BRACKETS



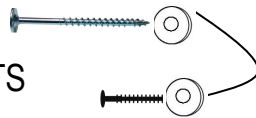
A-MACHINE BOLTS -2 3/4"



C-BARREL NUT



B- 2" CONFIRMAT BOLTS



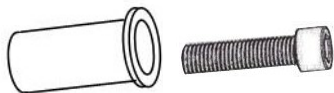
SAFETY CABLE KIT



D-6 -WOOD SCREWS -3 1/2"



12 -WOOD SCREWS -1 1/4"



(2) TRUNION SLEEVES AND (2) BOLTS



4- LINK PIVOT PLATES  
6- BARREL SLEEVES  
12- 6 1/2mm MACHINE SCREWS



(4) PISTONS



(4) PISTON BARREL ARM CONNECTORS



4- CLEVIS PINS



4- COTTER PINS



2-LOCKS  
4 SCREWS



(2) DECORATIVE HANDLES WITH SCREWS



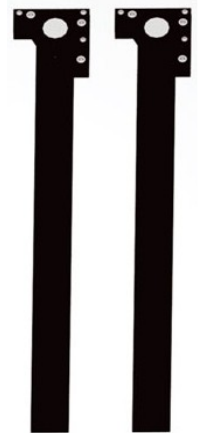
(2) ARM BRACKETS LEFT AND RIGHT SIDE FACING



2 WOOD PLATES  
8 BARREL NUTS (C)  
8 MACHINE BOLTS (A)



2-TRI-BEARERS  
2-WASHERS  
6-SCREWS  
2-MACHINE BOLTS  
2-NYLON LOCK NUTS

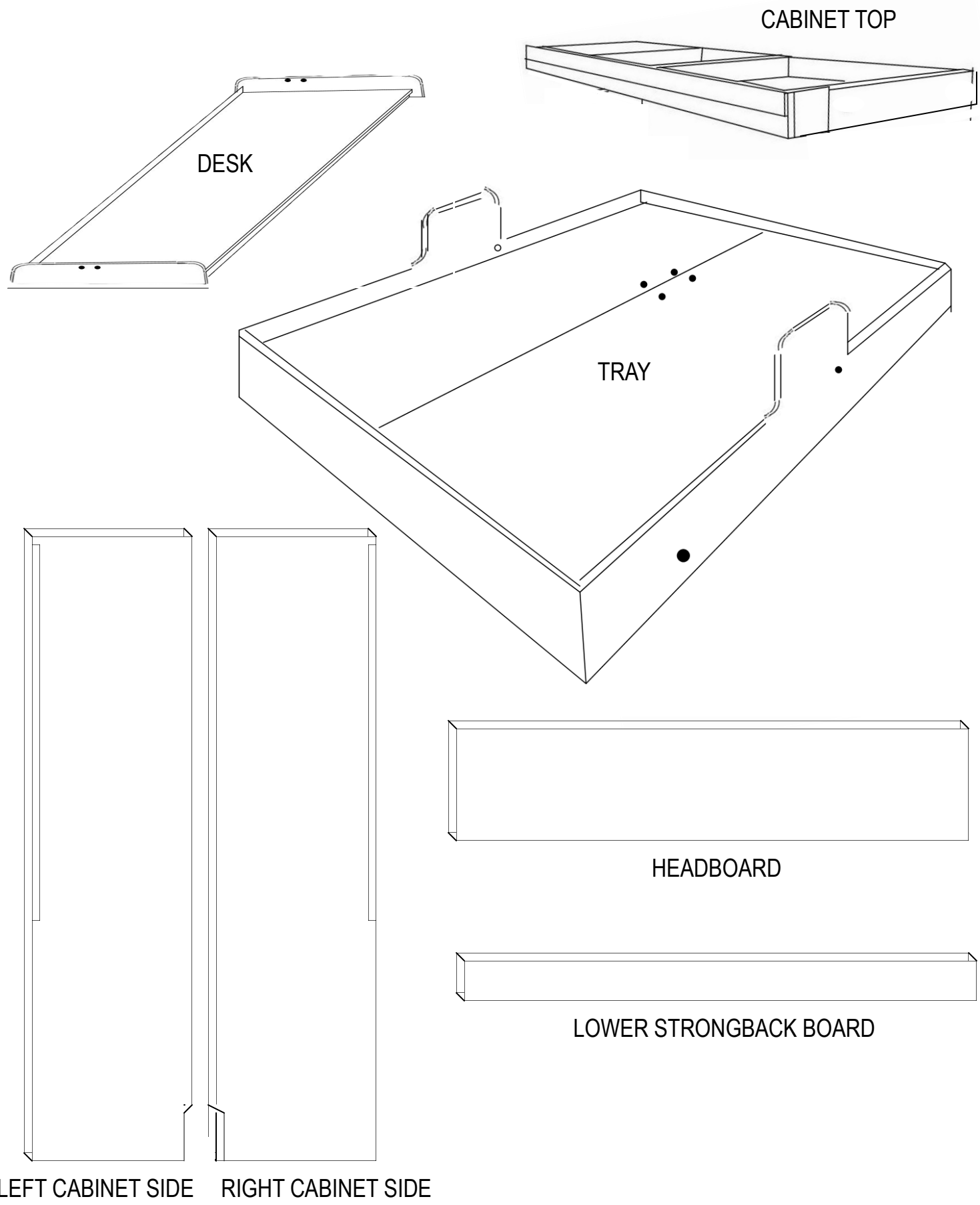


(2) IRON LEGS WITH BOLTS NUTS AND SCREWS

To operate an Office Bed it requires the ability to lift 40lbs (weight varies by weight of mattress)

**WARNING!** ALL PISTONS CONTAIN STORED ENERGY. FAILURE TO FOLLOW THESE INSTRUCTIONS COULD RESULT IN DAMAGE TO THE PRODUCT, PERSONAL INJURY OR DEATH. PLEASE CALL 916-607-7728 WITH ANY QUESTIONS.

PRODUCT OF WESTCOTT DESIGNS 4455 PARK ROAD BENICIA CA 94510 (916) 607-7728



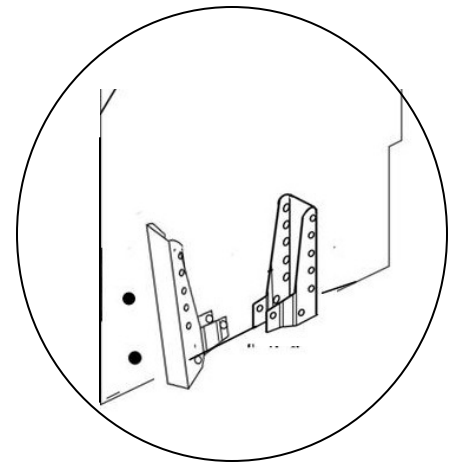
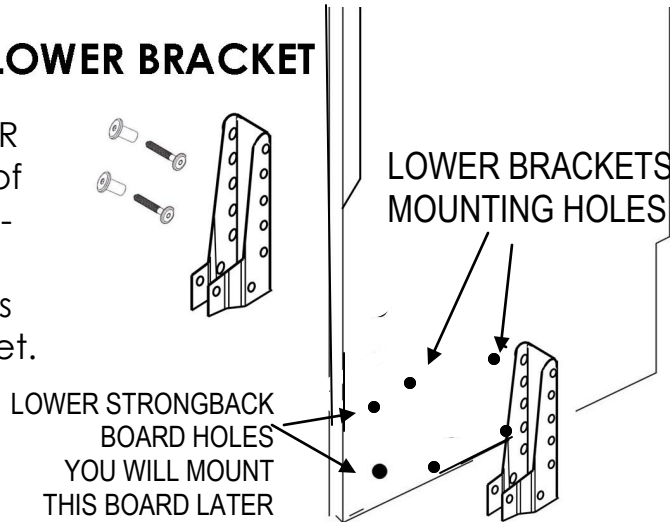
# WOOD COMPONENTS- Vertical Desk bed

PRODUCT OF WESTCOTT DESIGNS 4455 PARK ROAD BENICIA CA 94510 (916) 607-7728

# ATTACH HARDWARE

## 1 MOUNT THE LOWER BRACKET

ATTACH TWO LOWER BRACKETS to each of the cabinet sides using 2 machine bolts (A) and 2 barrel nuts (C) for each bracket. Brackets face each other as shown.

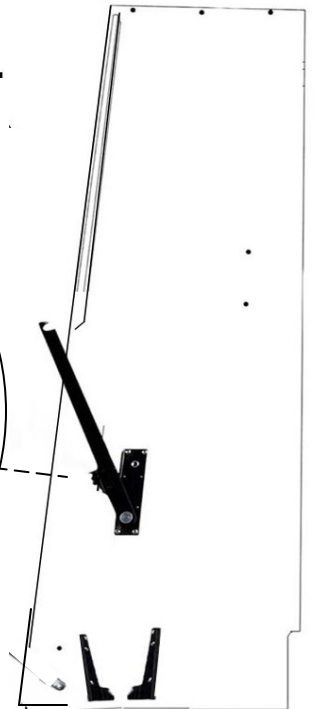
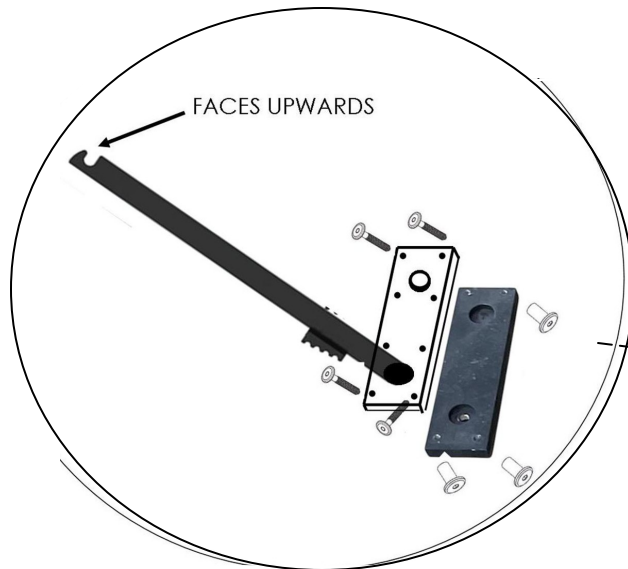


2 BRACKETS FACE EACH OTHER

## 2 MOUNT ARM AND WOOD MOUNTING PLATE TO CABINET

Place the ARM on top of the wood plate and secure it onto the cabinet side by using 4 machine bolts (A) and 4 barrel nuts (C) as shown. One in each corner. Repeat for the second side.

There is a left and a right Side arm. Make sure the Arm notch faces up.



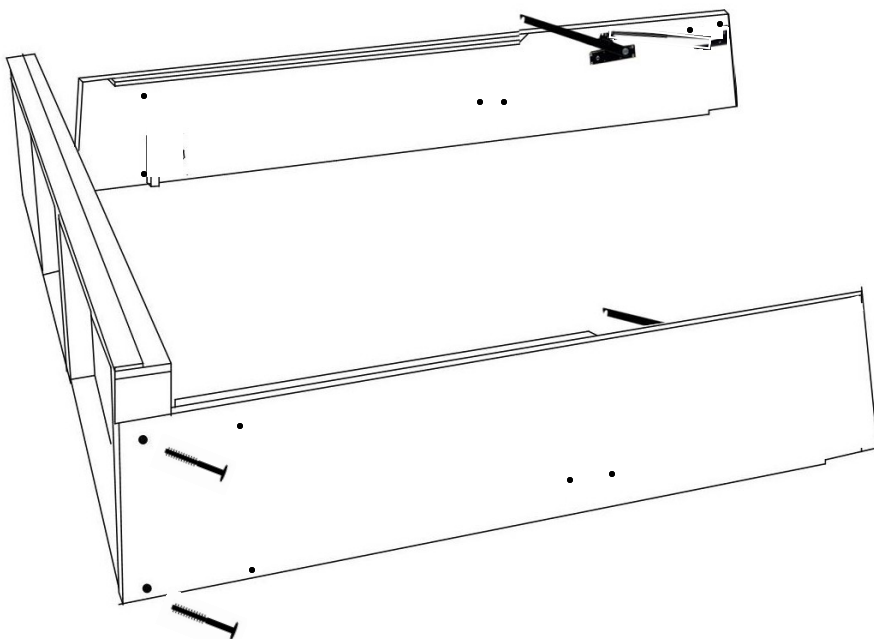
## 3 ATTACH PISTONS TO LOWER BRACKETS ON CABINET SIDES

Insert the piston end into the lower bracket as shown, Insert the clevis pin into the hole and through the piston end then out the other side. Secure with cotter pin. Bend ends of the cotter pin to secure it in place. Repeat with the other 3 pistons. When attached it should look like image B.

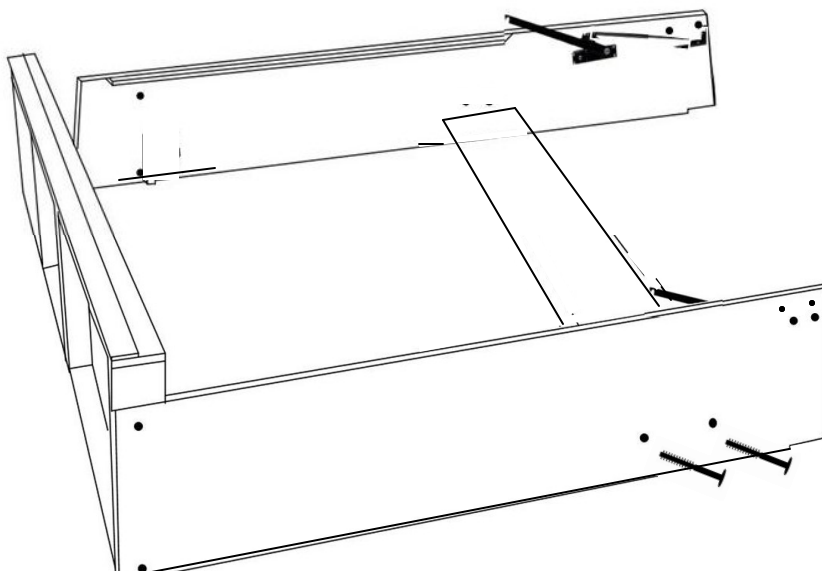


**WARNING!** ALL PISTONS CONTAIN STORED ENERGY. FAILURE TO FOLLOW THESE INSTRUCTIONS COULD RESULT IN DAMAGE TO THE PRODUCT, PERSONAL INJURY OR DEATH. PLEASE CALL 916-607-7728 WITH ANY QUESTIONS.

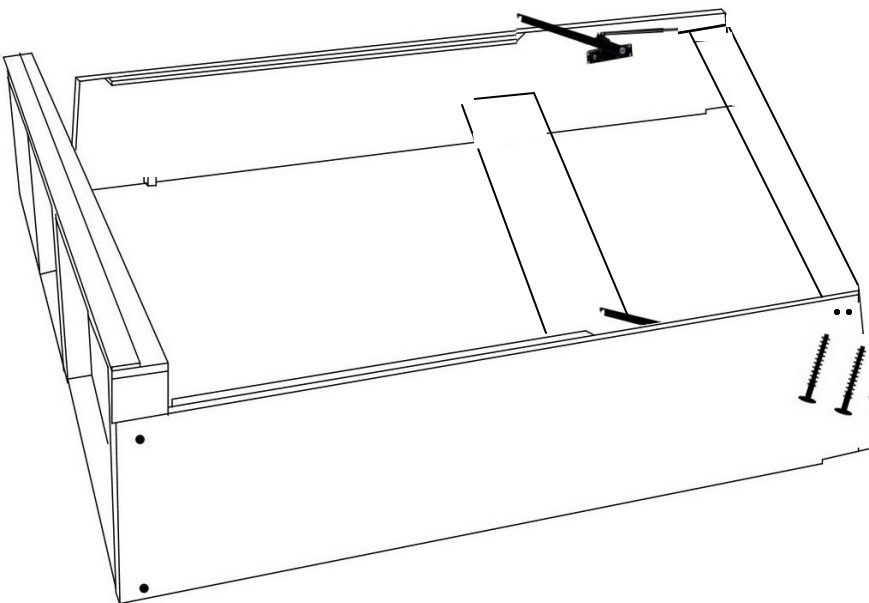
**3** ATTACH THE TOP TO THE SIDES using the MACHINE bolts **(A)**



**4** ATTACH THE FLAT HEADBOARD TO THE SIDES using the CONFIRMAT bolts **(B)**



**5** ATTACH LOWER STRONGBACK  
Insert lower strongback between the cabinet sides and attach with confirmat bolts **(B)** keeping finished edges to front.



6

**STAND CABINET UP  
INSTALL LIGHT KIT IF PURCHASED**

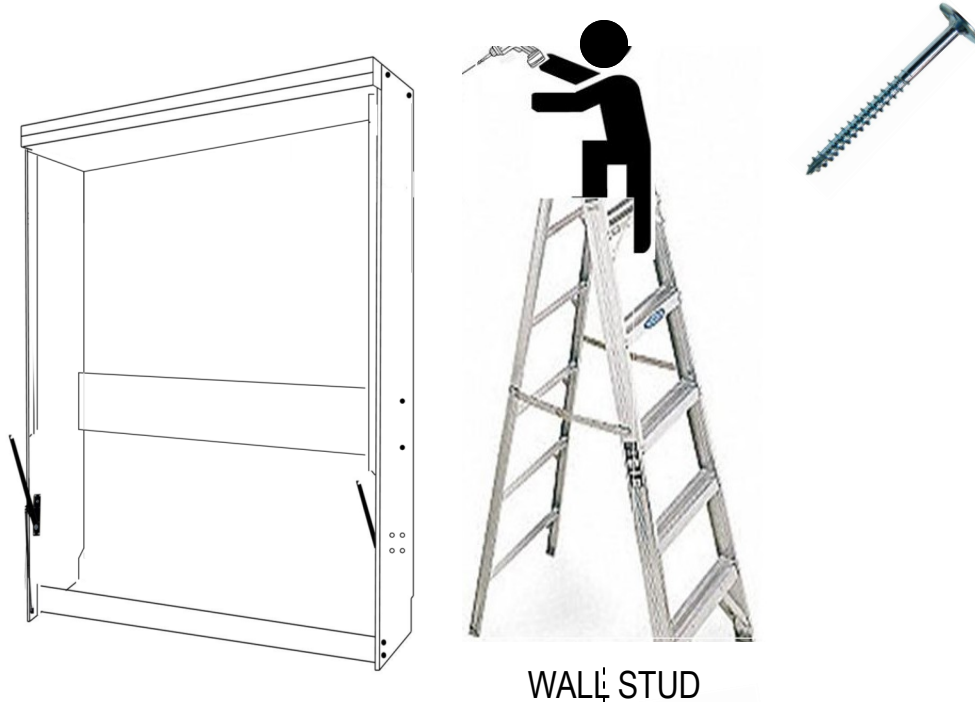


FOLLOW INSTRUCTIONS FOUND IN THE LED LIGHT KIT BOX.

7

**MOVE CABINET TO WALL- ATTACH TO YOUR WALL** Be sure that the cabinet is perfectly square on the wall. Mark where your wall studs are located. Use the (6) 3/12" wood screws to attach the cabinet into 3 wood studs in the wall through the back of the top.

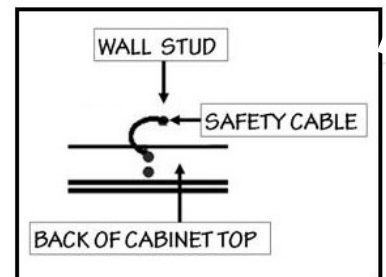
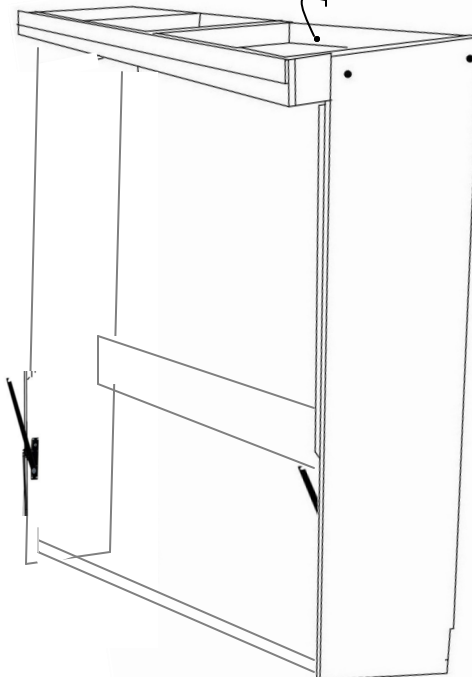
(D) 6 -WOOD SCREWS -3 1/2"



8

**INSTALL THE SAFETY CABLE**

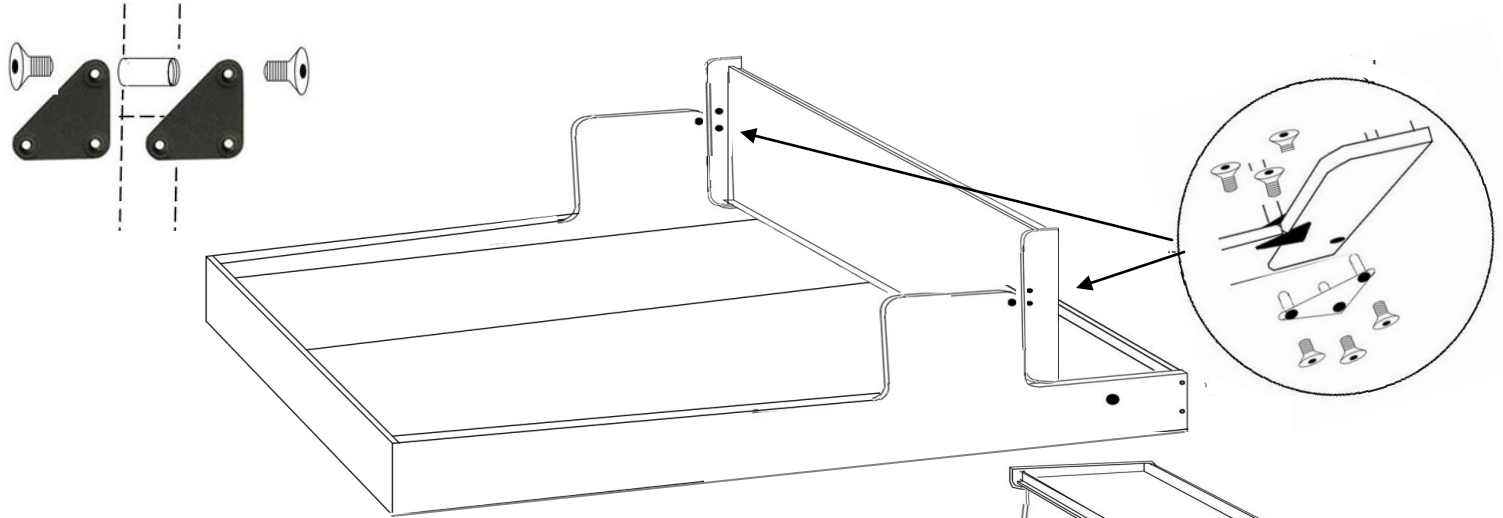
Attach one end of the safety cable to the cabinet back rail with the screw provided. Leave about 3" or slack in the wire cable. Attach to wood screw into the closest wall stud with the 2" washer head screw about 1" higher than the cabinet top. The screw when properly driven into the wall stud should be fairly hard to drive.



9

**ATTACH DESK TO TRAY**

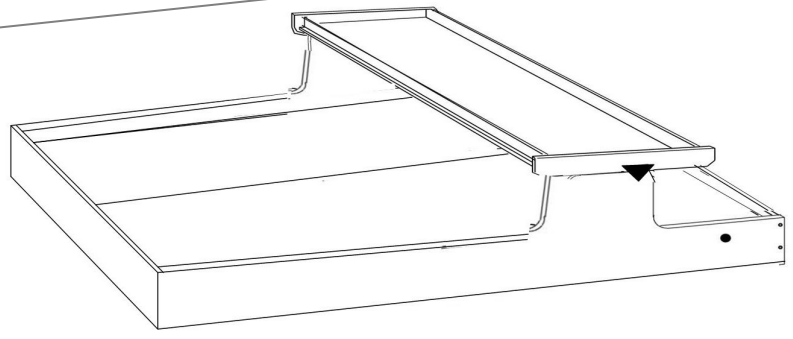
Place desk vertically on the mattress tray and attach with link pivot plates using barrel and 6 1/2mm machine screws to plate. Insert in holes, attach remaining screws, then tighten all.



10

**FOLD DOWN DESK**

Fold desk over the finished bottom of the mattress tray.

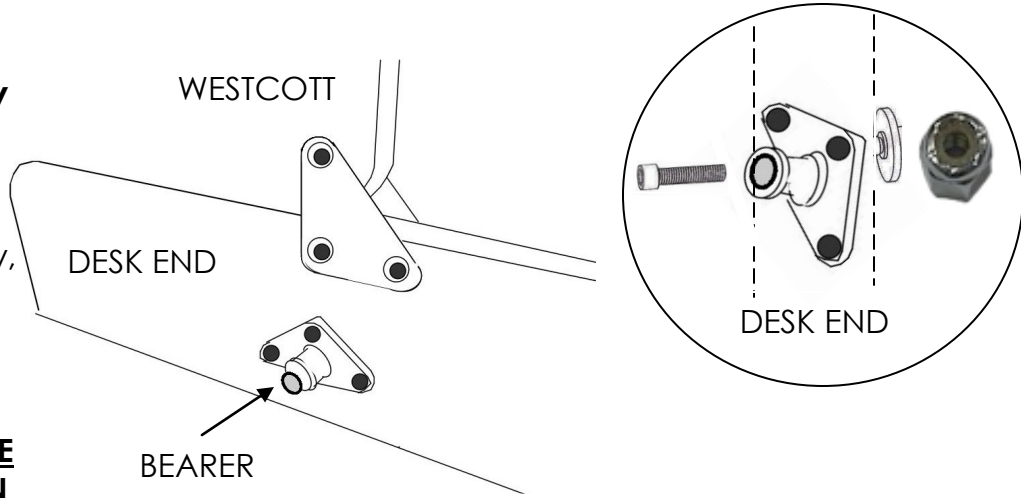


11

**Attach bearer assembly**

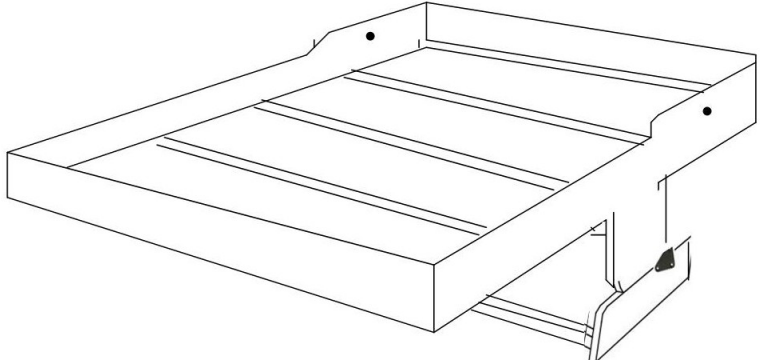
At each desk end, bolt bearer through wood through the washer into the nylon lock nut. Tighten firmly, but leave enough slack to slightly adjust the position later.

**DO NOT APPLY SCREWS INTO HOLES ON THE FLANGE NOW -YOU WILL DO THIS IN STEP 17**



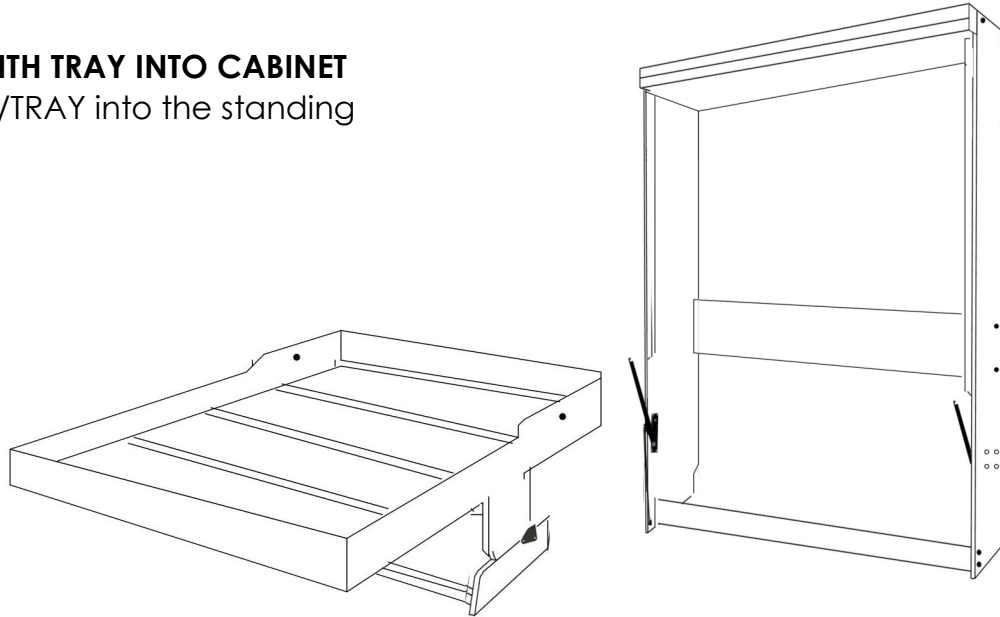
12

**POSITION DESK TRAY-** Roll the entire assembly over so the desk bottom is on the floor and the mattress bed tray is facing up. Desk should be resting on the floor. Finished edge facing into the room.



**13 MOVE DESK WITH TRAY INTO CABINET**

Slide the DESK/TRAY into the standing cabinet.



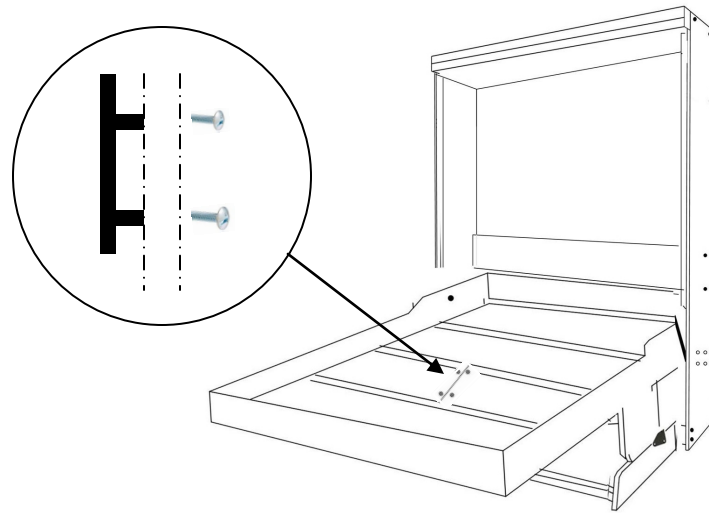
**14 UNSCREW THE LINER TO ACCESS THE HANDLE HOLES.**

Inside the mattress cavity are cross ribs that allow air to circulate around your mattress to prevent mold and mildew. Unscrew the cardboard liner so you can attach the handles

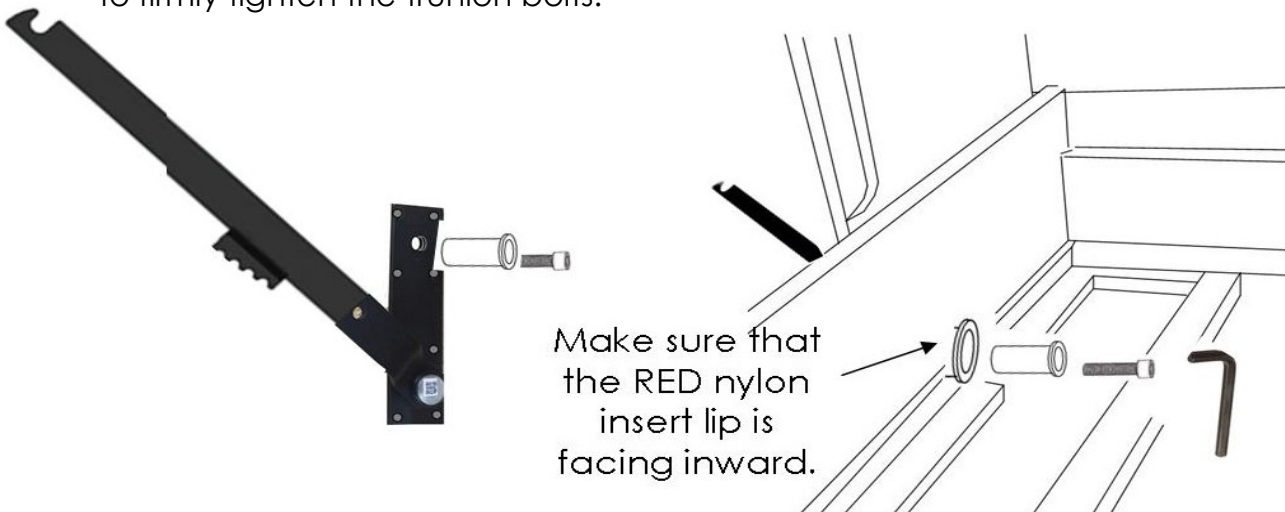
**ATTACH HANDLES**

In the center of your bed are 4 holes to secure the decorative handles with the screws provided.

**REINSTALL THE LINER** by screwing it down in place.



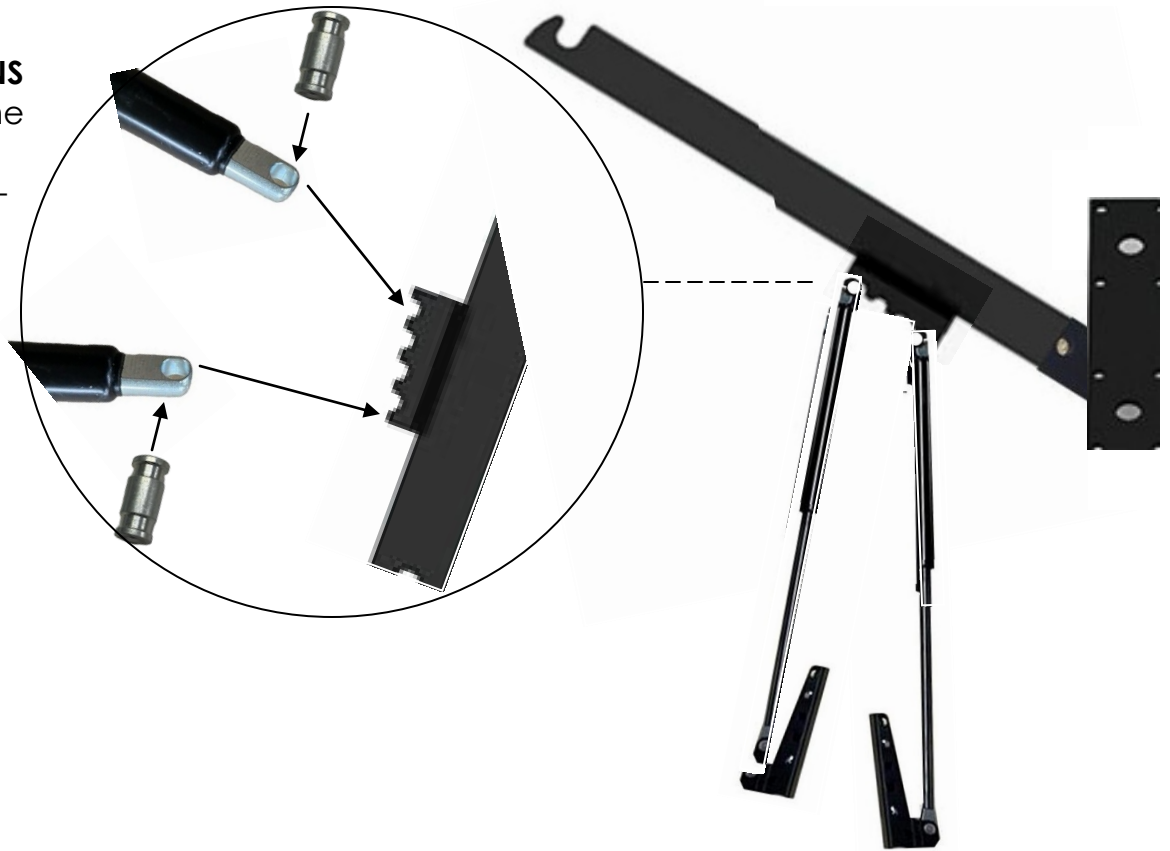
**15 INSERT TRUNION BOLT** Line up the trunion hole in the bed tray with the connecting threaded hole at the upper end of the lever arm bracket mounted to the cabinet side panel. From behind the unit, slide the trunion sleeve and bolt through the hole in the lever arm bracket. Once both trunions are in place, use the 10mm allen wrench to firmly tighten the trunion bolts.



**WARNING!** ALL PISTONS CONTAIN STORED ENERGY. FAILURE TO FOLLOW THESE INSTRUCTIONS COULD RESULT IN DAMAGE TO THE PRODUCT, PERSONAL INJURY OR DEATH. PLEASE CALL 916-607-7728 WITH ANY QUESTIONS.

**16****CONNECT TWO PISTONS TO EACH ARM**

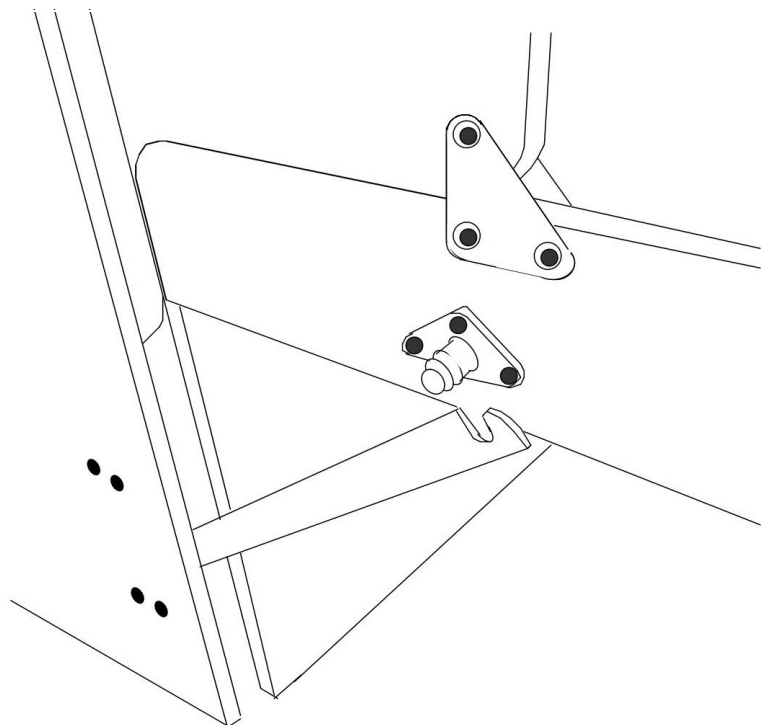
RAISE the bed into the CLOSED position. Insert the barrel piston arm connector into the hole at each piston end. Insert the piston into the top valley as shown here. Insert the second piston into the bottom valley as shown.

**17****CONNECT THE ARM TO THE DESK**

RAISE the bed in the UP or CLOSED position. Hold the desk wing and pull the lever arm down and around the bearer post, then release to connect gently with the bearer. You will be compressing the piston as you pull the arm down so it will require force.

Verify that the desk is sitting fully up the side panel. If it is not, slightly loosen the bearer bolts allowing it to do so, then retighten securely.

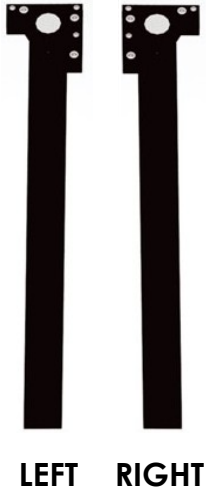
Apply screws to each of the three flange holes of the bearer fittings on each end of the desk. One lever arm at a time may be released for screw access.



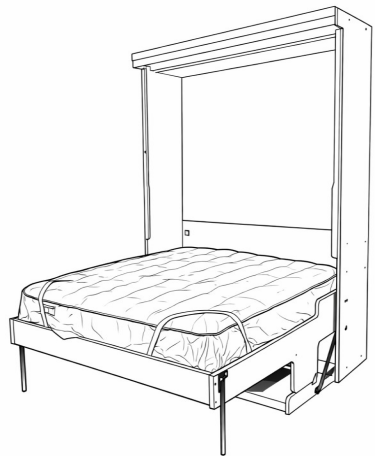
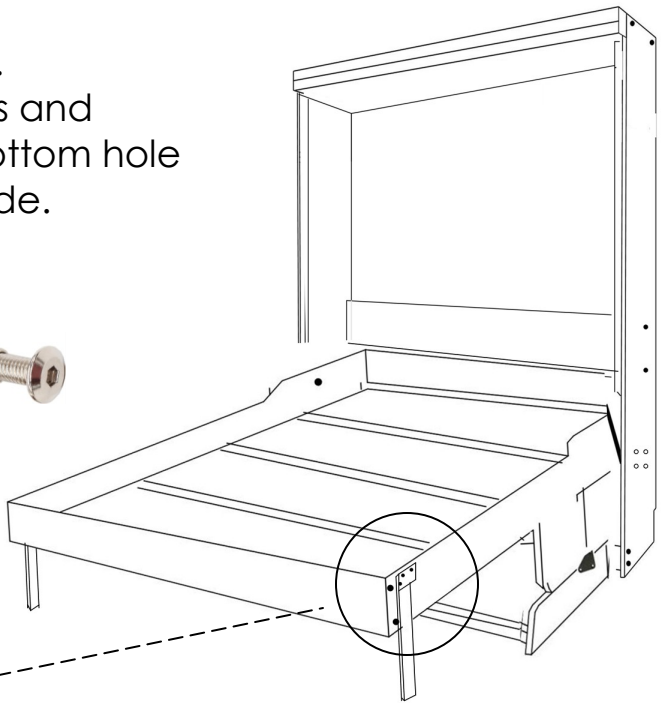
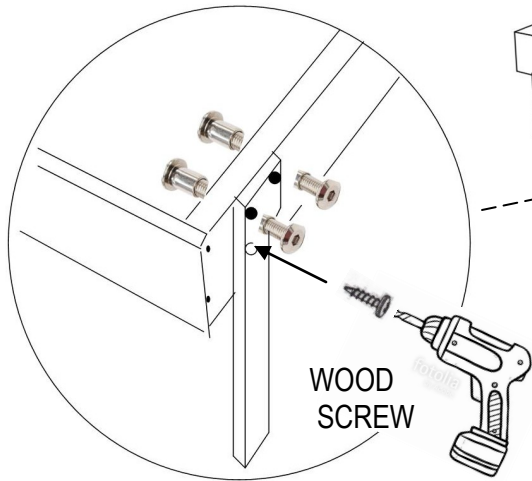
**18**

**ATTACH THE SUPPORT LEGS**

There is a left and right side facing leg. using 2 silver flat head machine screws and black T nuts. Use wood screw in the bottom hole as shown below. Repeat on second side.



- (2) METAL LEGS (LEFT AND RIGHT)
- (4) SILVER FLAT MACHINE SCREWS
- (4) T NUTS
- (2) WOOD SCREWS



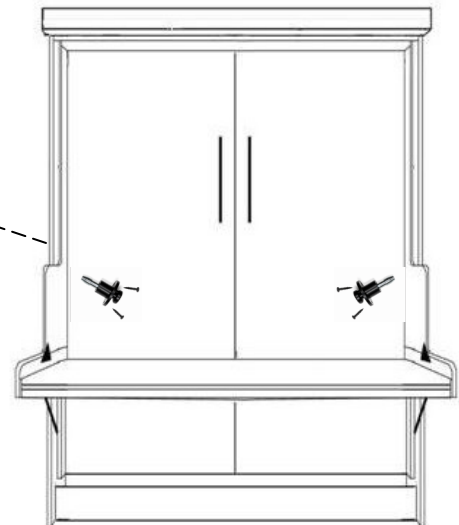
**19**

**INSERT MATTRESS** place the elastic straps over the corners of the mattress. Close the Bed.

**20**

**INSTALL LOCKS**

Attach black locking assembly to the inside on the bed end panels in holes provided, using screw. Retract the pins for assembly clearance.





# DESK BED OPERATION

## **BEFORE OPERATING**

BED MUST BE SECURELY ATTACHED INTO 3 WOOD STUDS AT THE TOP AND THE MATTRESS MUST BE SECURELY BUCKLED INTO THE BED TRAY. PILLOWS MUST BE REMOVED. CLEAR AWAY ITEMS ON THE FLOOR UNDER THE DESKTOP. REMOVE FROM THE DESK ITEMS TALLER THAN 14" ON THE VERTICAL MODEL AND 16" ON THE HORIZONTAL MODEL

## **UNLOCK THE BED**

ON BOTH SIDES OF THE DESK AT THE TOP OF THE DESK ENDS THERE ARE PLUNGER LOCKS. PULL THE LOCKS TO RELEASE THE BED.

## **TO OPEN THE BED**

STANDING IN FRONT OF THE BED, PULL ON THE HANDLE WHILE PUSHING DOWN ON THE DESKTOP. ONCE THE BED STARTS TO OPEN THE PISTONS WILL ASSIST IN LOWERING THE BED.

## **CARE**

To care for your furniture-just wipe with a soft damp cloth and then dry the surface immediately. All wood is susceptible to scratches and dings so use coasters and pads to protect your furniture.

## **DO NOT SIT OR STAND ON DESK** **DESK DOES NOT FOLD UP**

LIFTING UP THE DESKTOP AND SITTING OR STANDING ON THE DESKTOP WILL BEND THE MECHANISM AND BREAK THE BED. **THIS IS NOT COVERED UNDER THE WARRANTY.**



## **REMOVE ITEMS UNDER DESKTOP BEFORE YOU LOWER THE BED**

ITEMS UNDER THE DESKTOP WILL BE DAMAGED WHEN YOU LOWER THE BED AND YOU WILL BEND THE MECHANISM MAKING THE BED INOPERABLE. **THIS IS NOT COVERED UNDER THE WARRANTY.**



## **REMOVE ITEMS OVER 14" FROM DESK**

ITEMS TALLER THAN 14" ON THE VERTICAL MODEL AND 16" ON THE HORIZONTAL MODEL WILL BE DAMAGED WHEN YOU LOWER THE BED. LEAVING TALL ITEMS ON THE DESK CAN BEND THE MECHANISM MAKING THE BED INOPERABLE. **NOT COVERED UNDER THE WARRANTY.**



**FAILURE TO FOLLOW THESE DIRECTIONS WILL VOID THE WARRANTY**

**WARNING!** ALL PISTONS CONTAIN STORED ENERGY. FAILURE TO FOLLOW THESE INSTRUCTIONS COULD RESULT IN DAMAGE TO THE PRODUCT, PERSONAL INJURY OR DEATH.. PLEASE CALL 916-607-7728 WITH ANY QUESTIONS.